



**arlight**

**Модуль IM4W-12V White 6000K**

**Summarization:**

Waterproof Tri-chip 4LEDs Module adopts 4 pcs of Tri-chip LED as its luminous body, this product is of good ability, wide beaming angle, and perfect design. ABS Engineering Plastic Housing glued with epoxy makes the product wholly waterproof (IP 65). Wide beam angle ensures enough scope of light emitting. It adopts international famous Chip to make the LED bright enough and reliable. This product can be widely used for signs, logos, cove lighting, channel letter, etc.



**Specification:**

Size: 46\*32\*5.9mm  
 IP Class: IP65  
 Beaming Angle: 120  
 Weight: 10g

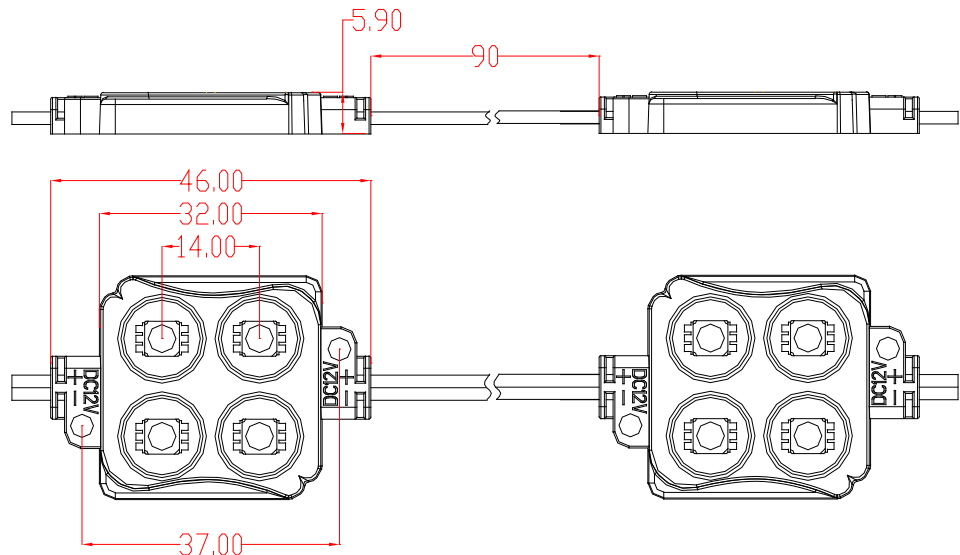
**Features:**

Green, Energy Saving.  
 Low voltage: DC 12V. High brightness  
 Conforming to international standard.  
 Absolutely safe and stable.  
 Save 90% electricity compared to traditional lights.

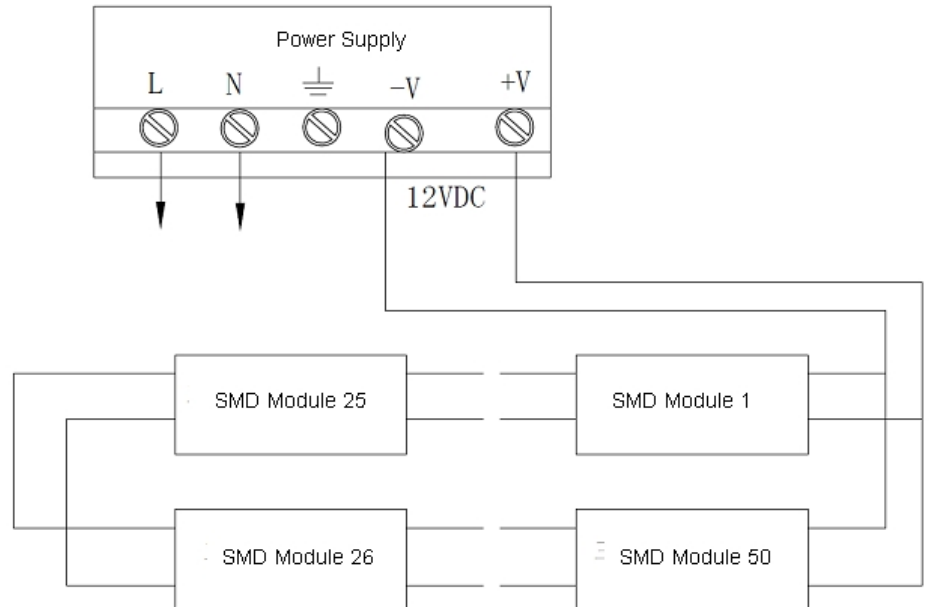
**Electrical specification:**

Input Voltage: 12VDC  
 Power Consumption: 0.72W  
 Power Supply: Waterproof 30W-12V-2.5A;  
 Non-waterproof 55W-12V-4.6A,  
 150W- 12V-12.5A; 300W-12V-25A

**Diagram:**



## Connecting Diagram:



### Attention:

- To ensure the longevity and stability of module, please do not hit or beat it forcibly.
- Please do not install the module in totally exposed outdoor environment.
- We advise that the distance between the module and light box cover is 80~100mm, and the distance between each module is 40~60mm.

### Warning:

- Do not touch INPUT PORT when power is on.
- Please preserve 20% power to protect the brightness of module from being influenced by environments.
- Install this module at appropriate environment.
- Please note the negative and positive polarity when you link power wires to avoid short circuit.
- Make sure the output voltage of power supply is same as module's working voltage